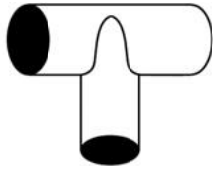


Sewer Valve Installation Instructions

Sewer Cleanout / Backflow Prevention Valve



Plunger

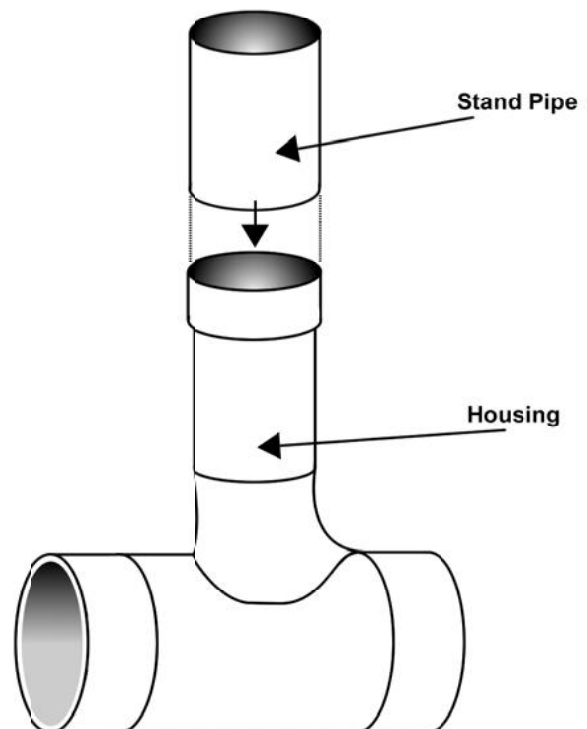
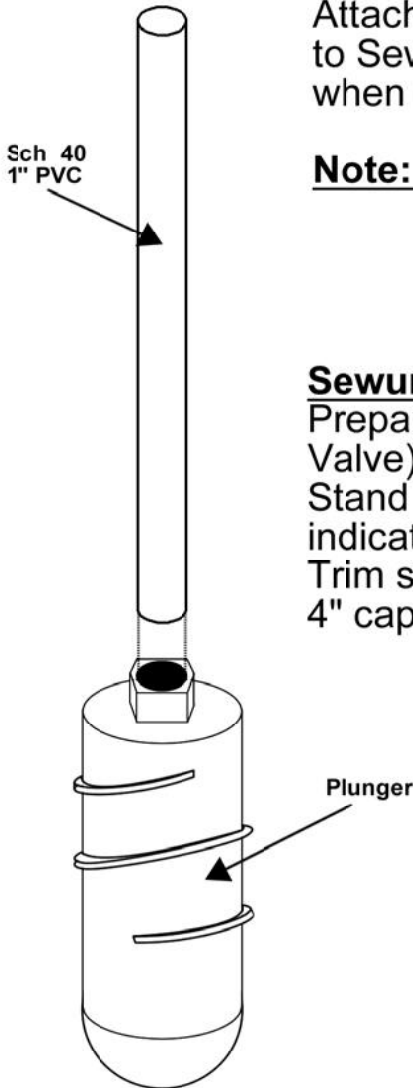
Cut and cement 1" schedule 40 PVC pipe to Plunger. Make sure to cut 5" shorter than standpipe. Attach (cement) a 1" schedule 40 "T" to top of pipe connected to Sewer Plunger. Your plunger assembly is now ready for use when needed.

Note: *Remove Plunger assembly when not in use.*

Sewer Housing

Prepare soil ensuring that stand pipe (cemented to Sewer Valve) will be in a vertical position. Install Sewer Valve and Stand pipe in the correct flow position. Arrow on valve indicates flow direction.

Trim stand pipe to ground level (check local codes). Attach 4" cap to standpipe.



Reccmended - SDR 35 (Standard Dimension Ratio)

Important:
Do not leave plunger assembly in unit when not in use.

COMPACTED SOIL